

BREAK DOWN YOUR BOXES!

Help us increase the efficiency of our recycling program.

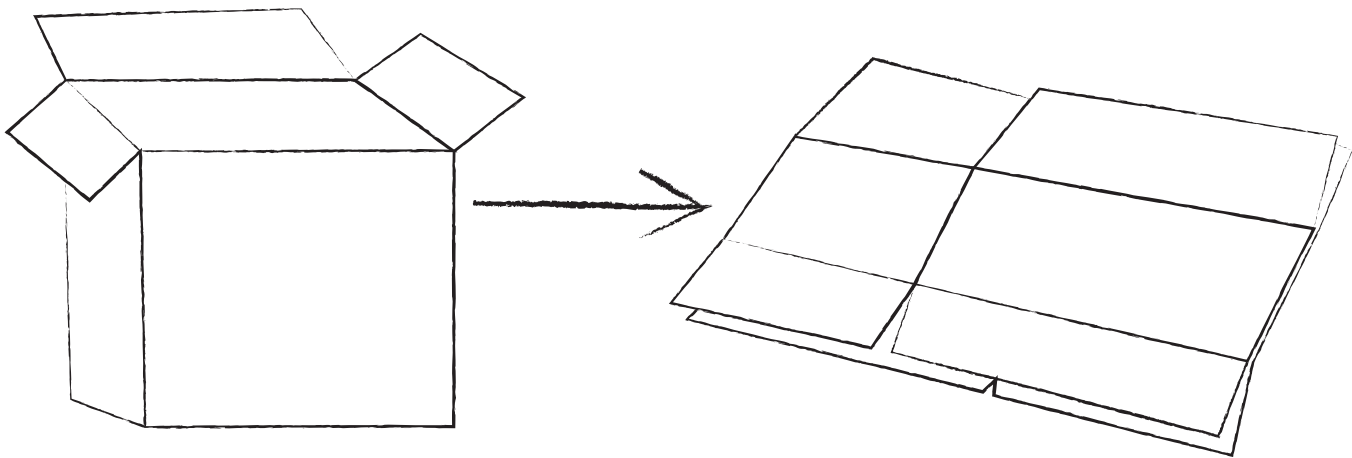
Remove and recycle all packaging.

Packing Peanuts → Send in a sealed bag to **Packing Peanuts Reuse Program, WW15.**

Plastic Air Bags → Considered “plastic film” and should be placed in separate film receptical with all other plastic bags.

Styrofoam: → Place next to your broken down box.

Flatten cardboard.



Place next to recycling bins.

Make sure that boxes left outside of bins in public corridors do not impede traffic.

For oversized items, request a free pickup through **Atlas.**